

**PLEASE CHECK WWW.MOLEX.COM FOR LATEST PART INFORMATION**

**Part Number:** [0528922095](#)  
**Status:** **Active**  
**Description:** 0.50mm (.020") Pitch Easy-On™ Type FFC/FPC Connector, Right Angle, SMT, ZIF, Bottom Contact Style, Cable Retention Guide, 20 Circuits, Lead-free

**Documents:**

[3D Model](#) [Product Specification PS-52892-038 \(PDF\)](#)  
[Drawing \(PDF\)](#) [RoHS Certificate of Compliance \(PDF\)](#)

**General**

Product Family FFC/FPC Connectors  
 Series [52892](#)  
 Comments Hinge, Cable Guide  
 Product Name Easy-On™

**Physical**

Circuits (Loaded) 20  
 Color - Resin Natural  
 Contact Position Bottom  
 Durability (mating cycles max) 20  
 Entry Angle 90° Angle  
 Mated Height (in) 0.079 In  
 Mated Height (mm) 2.00 mm  
 Material - Metal Phosphor Bronze  
 Material - Plating Mating Tin-Bismuth  
 Material - Plating Termination Tin-Bismuth  
 Material - Resin High Temperature Thermoplastic  
 Number of Rows 1  
 Orientation Right Angle  
 PCB Locator No  
 PCB Retention Yes  
 Packaging Type Embossed Tape on Reel  
 Pitch - Mating Interface (in) 0.020 In  
 Pitch - Mating Interface (mm) 0.50 mm  
 Plating min: Mating (µin) 40  
 Plating min: Mating (µm) 1  
 Plating min: Termination (µin) 40  
 Plating min: Termination (µm) 1  
 Polarized to PCB No  
 Stackable No  
 Surface Mount Compatible (SMC) N/A  
 Temperature Range - Operating -25°C to +85°C  
 Termination Interface: Style Surface Mount  
 Wire/Cable Type FFC/FPC

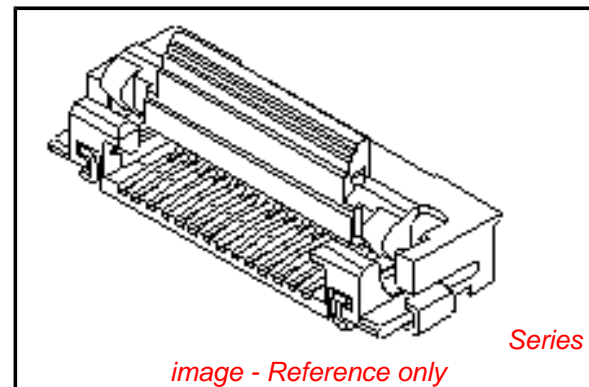
**Electrical**

Current - Maximum 0.5A  
 Voltage - Maximum 50V

**Material Info**

**Reference - Drawing Numbers**

Product Specification PS-52892-038, RPS-52892-036, RPS-52892-039,  
 RPS-52892-045, RPS-52892-049  
 Sales Drawing SD-52892-040, SD-52892-041



*image - Reference only*

**EU RoHS**

**ELV and RoHS  
 Compliant**  
**REACH SVHC  
 Contains SVHC: No**  
**Halogen-Free  
 Status  
 Not Reviewed**

**China RoHS**



**Need more information on product  
 environmental compliance?**

Email [productcompliance@molex.com](mailto:productcompliance@molex.com)  
 For a multiple part number RoHS Certificate of  
 Compliance, [click here](#)

Please visit the [Contact Us](#) section for any  
 non-product compliance questions.

**Search Parts in this Series**  
[52892Series](#)

This document was generated on 02/03/2010

**PLEASE CHECK [WWW.MOLEX.COM](http://WWW.MOLEX.COM) FOR LATEST PART INFORMATION**